

**Nanodyne Replacement Illuminator for Nikon 50i Microscope - Included Items**

**Additional Items Included But Not Shown:**

- PN 10456 Hex Key 1.5mm (for pot knob)
- PN 10566 Hex Key 2.5mm long arm ball end (for removing original illuminator collector lens assembly)
- PN 11497 Hex Key 5/64 inch Ball End (for set screw)

The illuminator may be powered by plugging the cable into the power supply provided, or into a suitable USB port on a computer or other device.



PN 10733 Power Supply - XP Power 5V 1A and PN 10734 Cable Assy 1.35mm ID x 3.5mm OD RA plug to USB A, 6 foot.

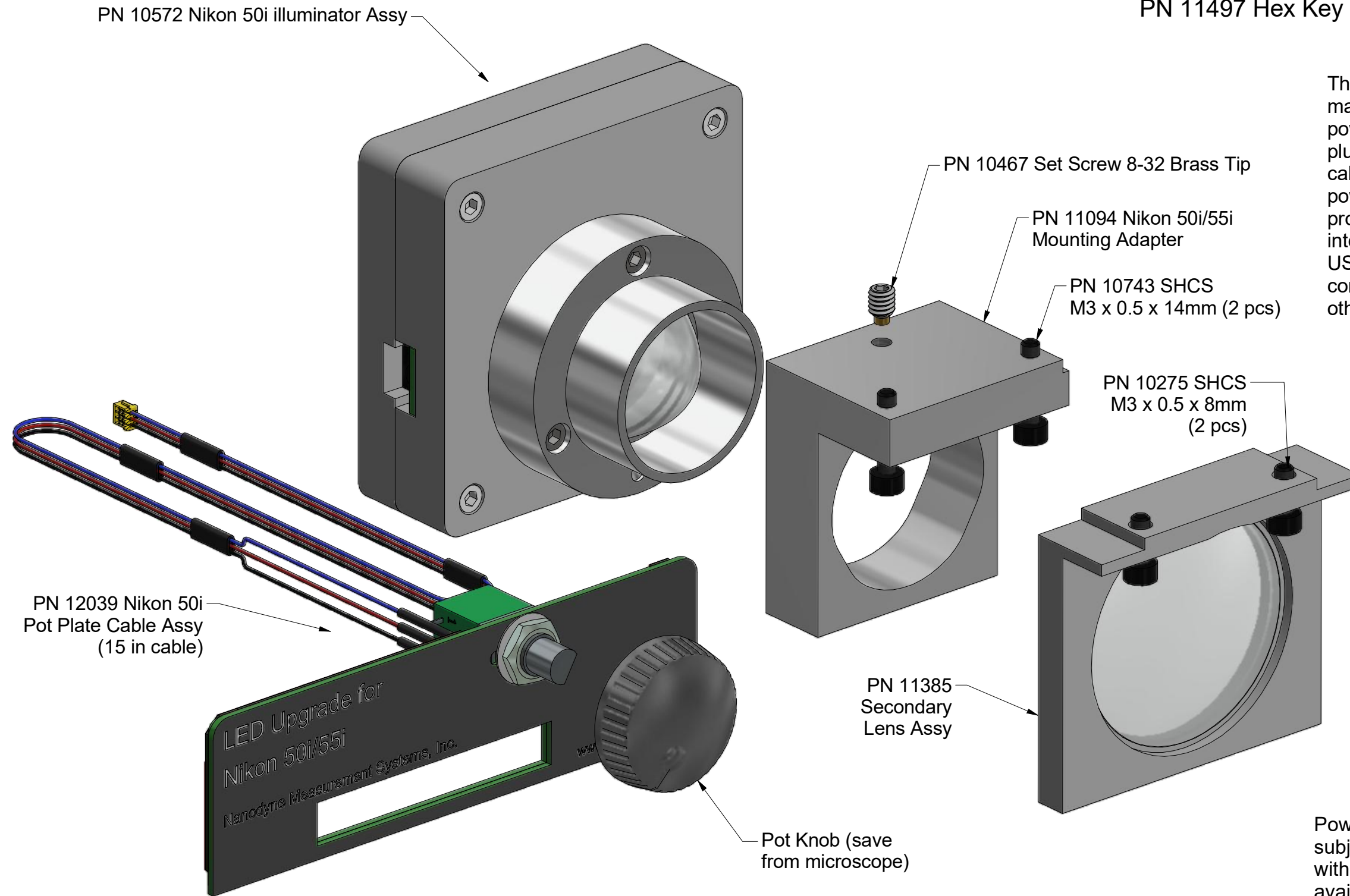


Tape to secure wires.



PN 10736 Rubber plug to block unused AC power receptacle.

Power supplies are subject to substitution without notice due to availability issues and changes in regulations.



Han-Seung Yang 5/21/2021	
PN 10558 Nikon 50i Illuminator System	REV 8
SHEET 1 OF 1	