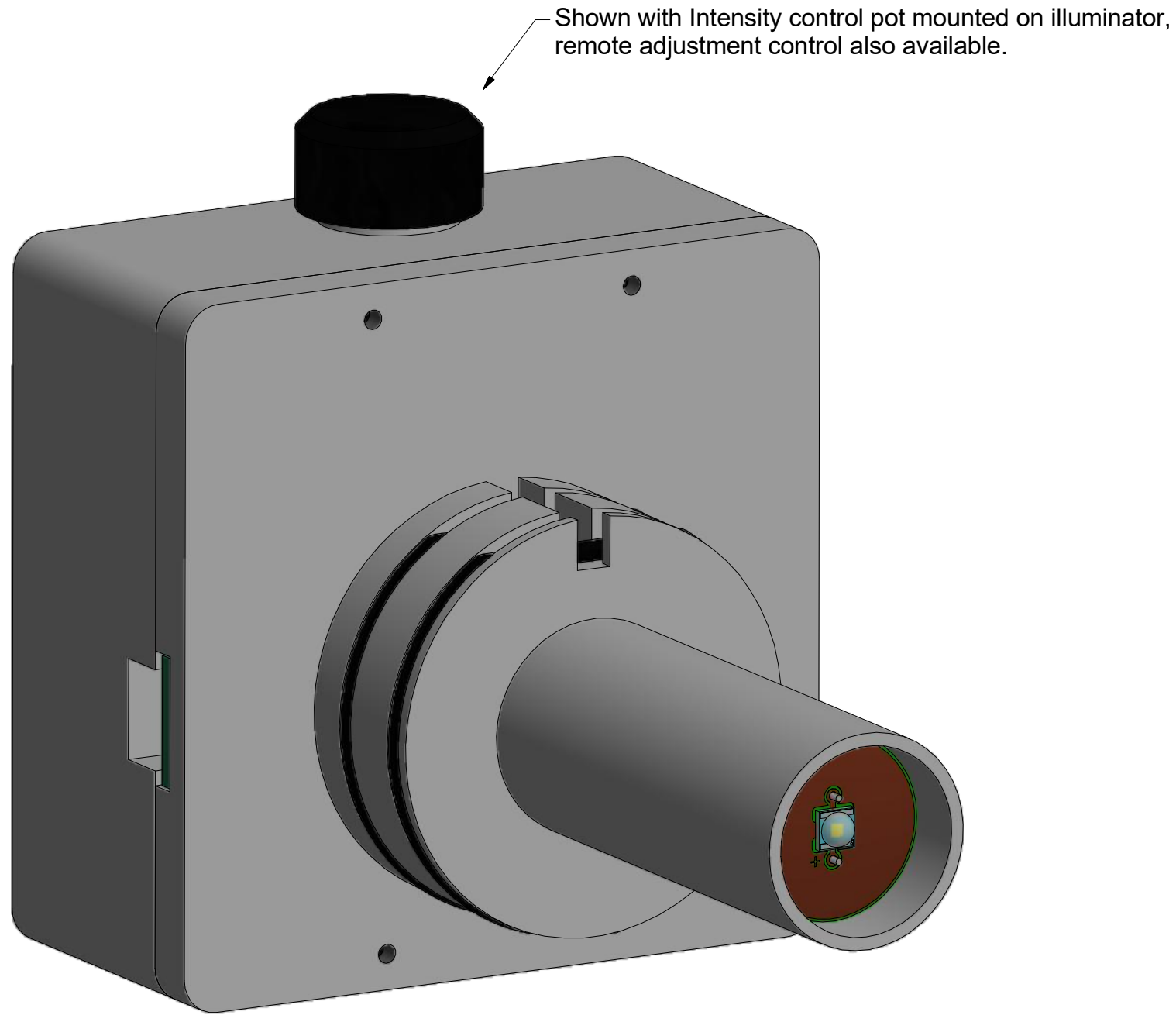


Nanodyne Replacement Illuminator for Nikon S-KT Microscope - Included Items



Shown with Intensity control pot mounted on illuminator, remote adjustment control also available.

PN 10340 Nikon S-KT Illuminator Assy



PN 10733 Power Supply - XP Power 5V 1A Fixed Blade US Input/USB Output



PN 10734 Cable Assy 1.35mm ID x 3.5mm OD RA plug to USB A 6 foot

The illuminator may be powered by plugging the cable into the power supply provided, or into a suitable USB port on a computer or other device.

Power supplies are subject to substitution without notice due to availability issues and changes in regulations.

Wayne Bonin	12/1/2017
PN 10475 Nikon S-KT Illuminator System	REV 3
SHEET 1 OF 1	