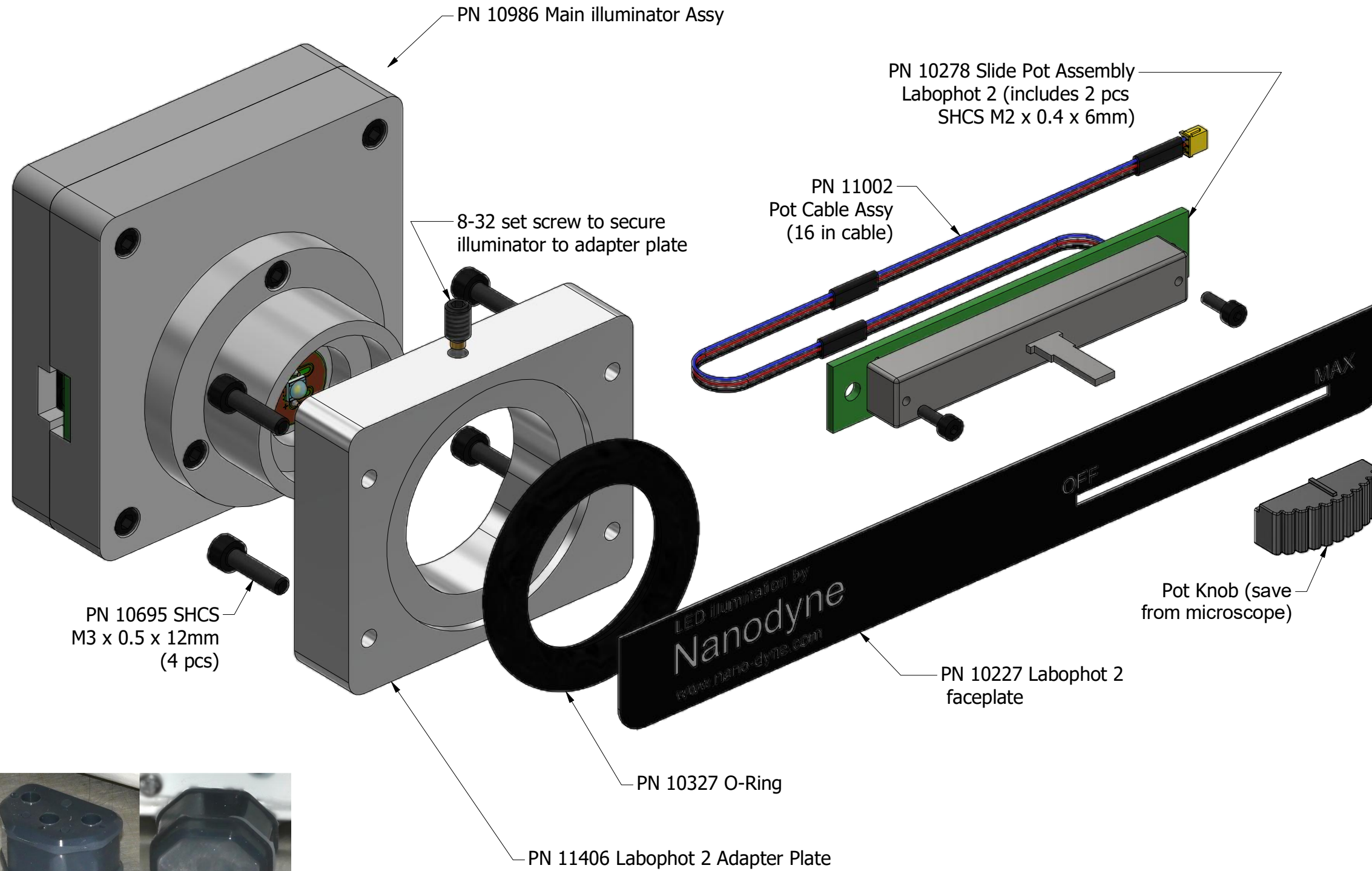


**Nanodyne Replacement Illuminator for Nikon Labophot 2 Microscope: Included Items**

**Additional Items Included But Not Shown:**

- PN 10456 Hex Key 1.5mm (for pot install - M2 screws)
- PN 10457 Hex Key 2.5mm (for M3 mounting screws)
- PN 10490 Hex Key 5/64 inch (for 8-32 set screw)



Tape to secure wires.



PN 10733 Power Supply - XP Power 5V 1A and PN 10734 Cable Assy 1.35mm ID x 3.5mm OD RA plug to USB A, 6 foot.

The illuminator may be powered by plugging the cable into the power supply provided, or into a suitable USB port on a computer or other device.

Power supplies are subject to substitution without notice due to availability issues and changes in regulations.



PN 10736 Rubber plug to block unused AC power receptacle.

Wayne Bonin	6/29/2019
PN 10473 Nikon Labophot 2 Illuminator System	REV 5
SHEET 1	OF 1