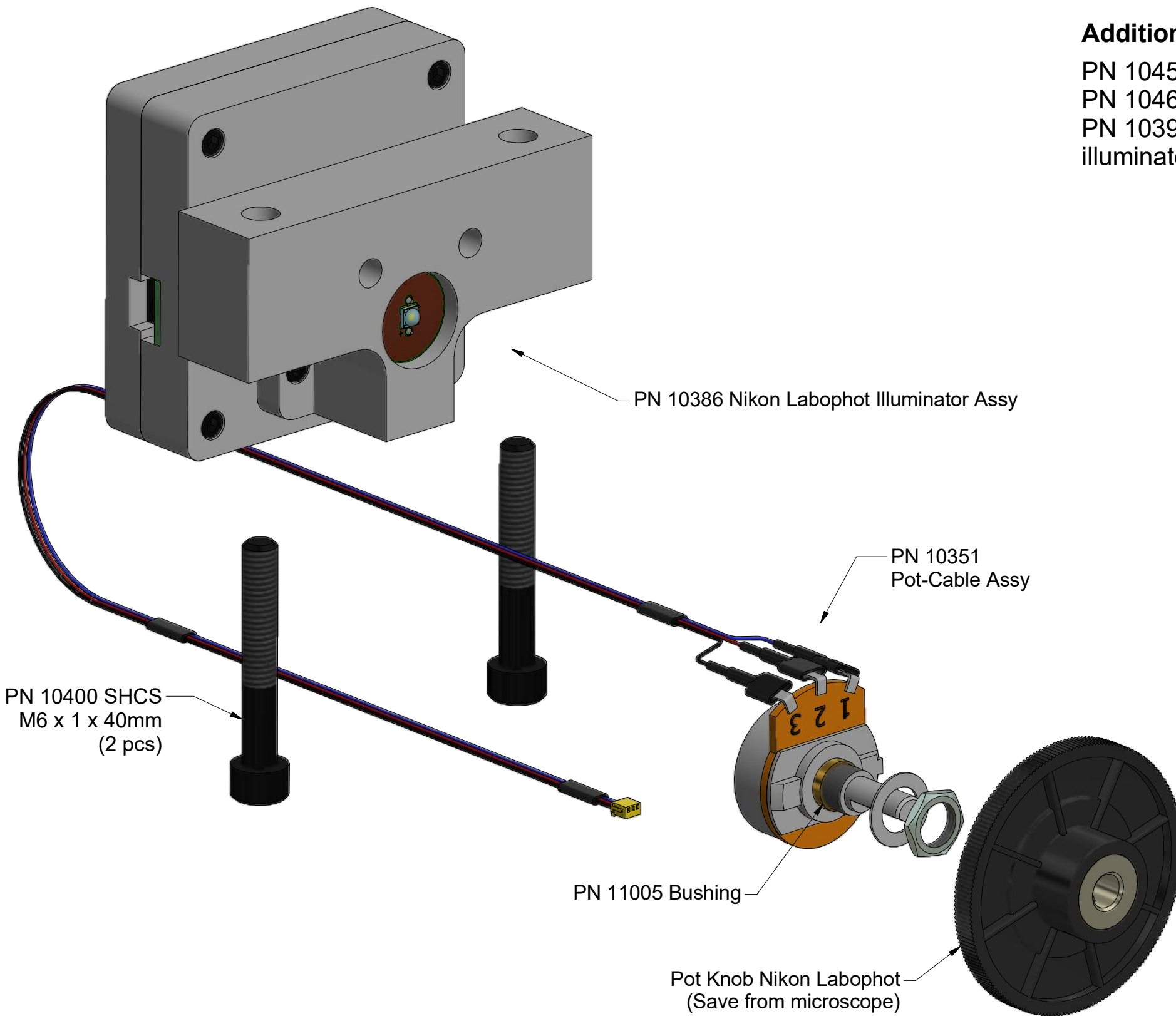


Nanodyne Replacement Illuminator for Nikon Labophot Microscope - Included Items

Additional Items Included But Not Shown:

- PN 10456 Hex Key 1.5mm (for pot knob)
- PN 10460 Hex Key 4mm Short Arm (for microscope bottom cover)
- PN 10399 Hex Key 5mm Short Arm (for M6 mounting bolts to attach illuminator to scope)



The illuminator may be powered by plugging the cable into the power supply provided, or into a suitable USB port on a computer or other device.



PN 10733 Power Supply - XP Power 5V 1A and PN 10734 Cable Assy 1.35mm ID x 3.5mm OD RA plug to USB A, 6 foot.

Power supplies are subject to substitution without notice due to availability issues and changes in regulations.



Tape to secure wires.

Wayne Bonin	3/12/2019
PN 10468 Nikon Labophot Illuminator System	REV 4
SHEET 1 OF 1	