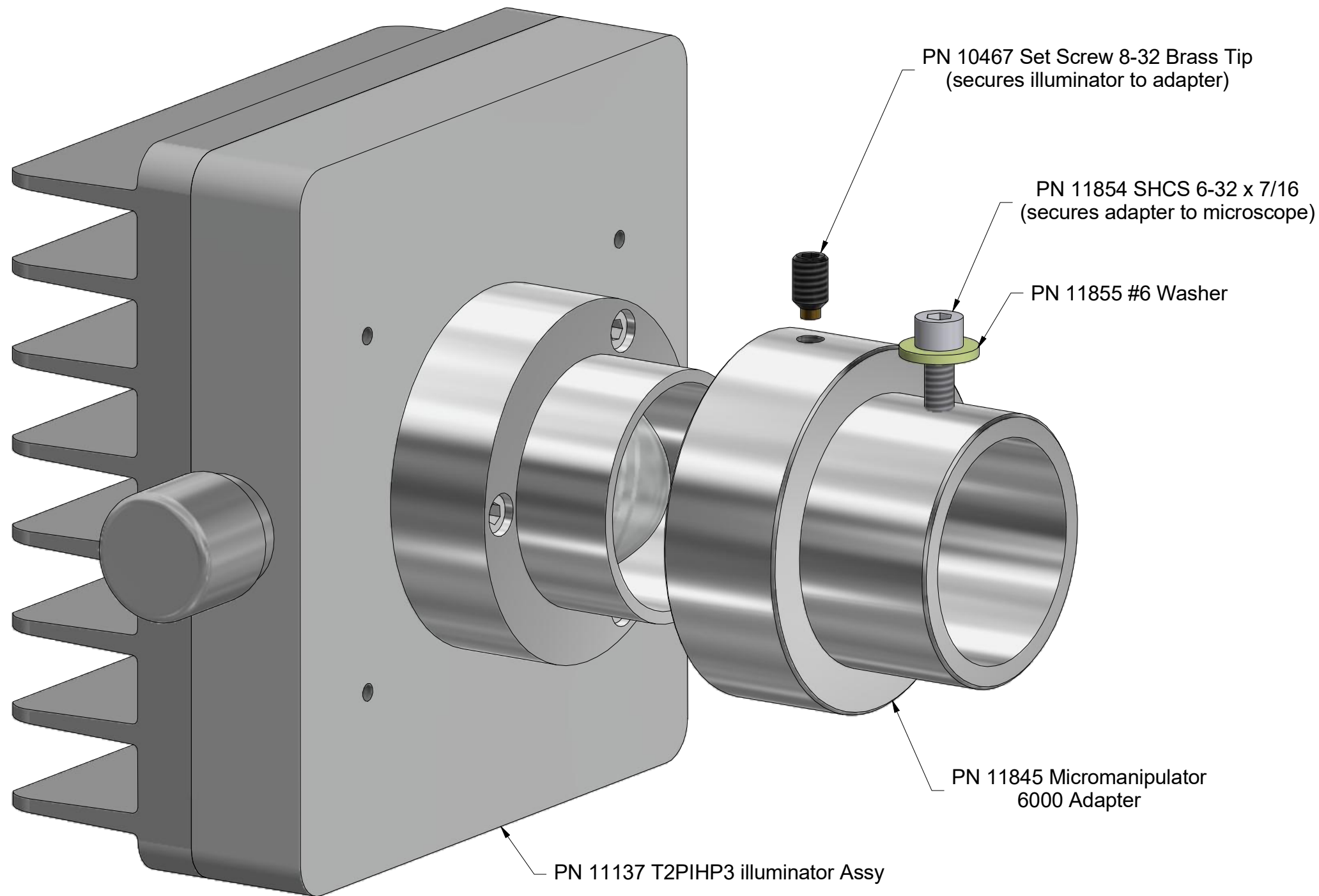


Nanodyne Replacement Illuminator for Micromanipulator 6000 - Included Items

Additional Items Included But Not Shown:

PN 10490 Hex Key 5/64 Short Arm (for 8-32 set screw)
 PN 11564 Hex Key 7/64 Long Arm (for 6-32 screw)



(The 5 parts directly above make PN 11846 Micromanipulator 6000 illuminator Assy)



The illuminator may be powered by plugging the cable into the power supply provided, or into a suitable USB port on a computer or other device.

PN 11163 Power Supply 5V 2.1A and
 PN 10734 Power Cable 1.35mm
 ID/3.5mm OD x USB A 6 ft.

Power supplies are subject to substitution without notice due to availability issues and changes in regulations.

| | |
|------------------------------------------------------|------------|
| Wayne Bonin | 10/24/2020 |
| PN 11847 Micromanipulator 6000 illuminator System | REV 1 |
| SHEET 1 | OF 1 |