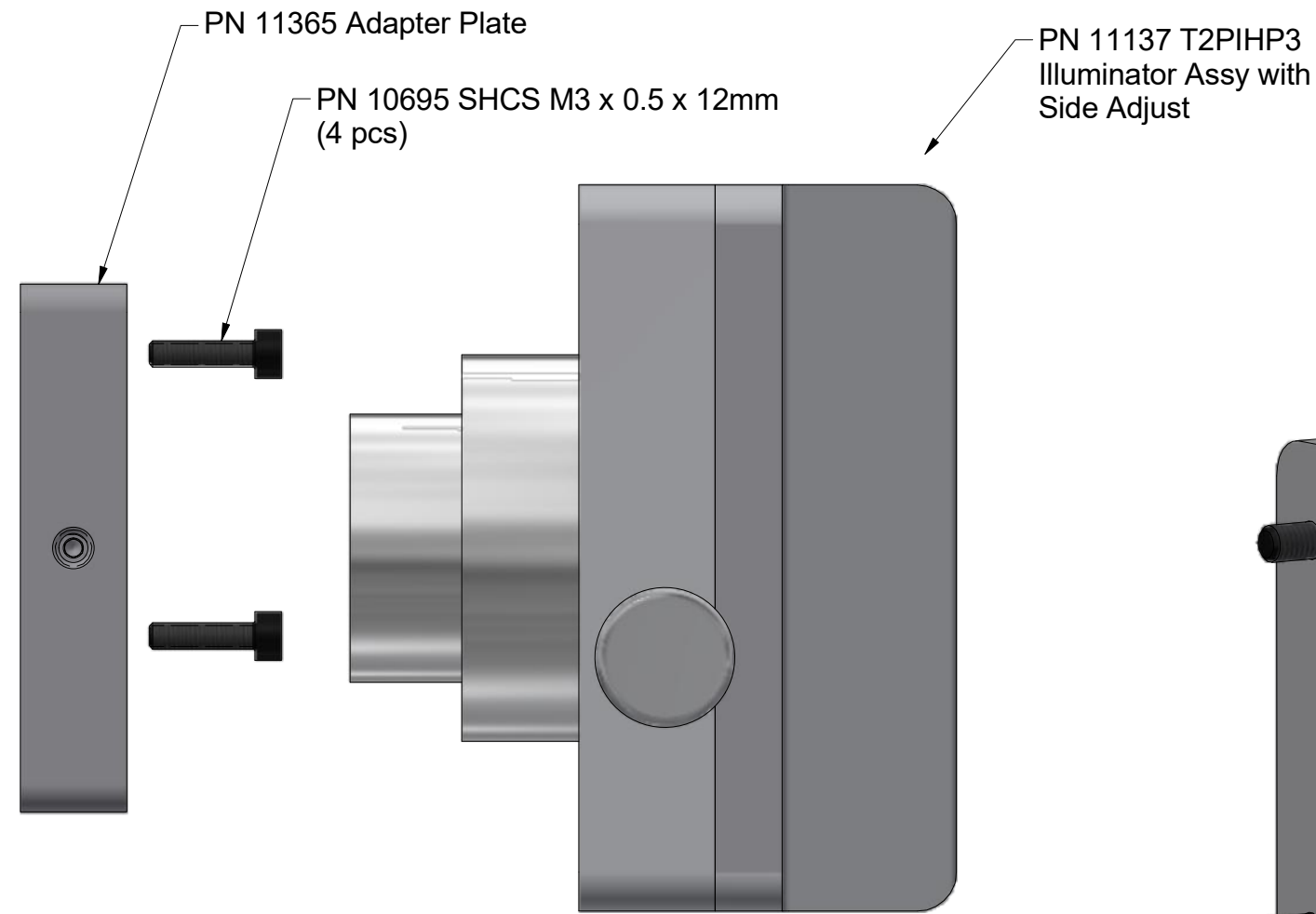
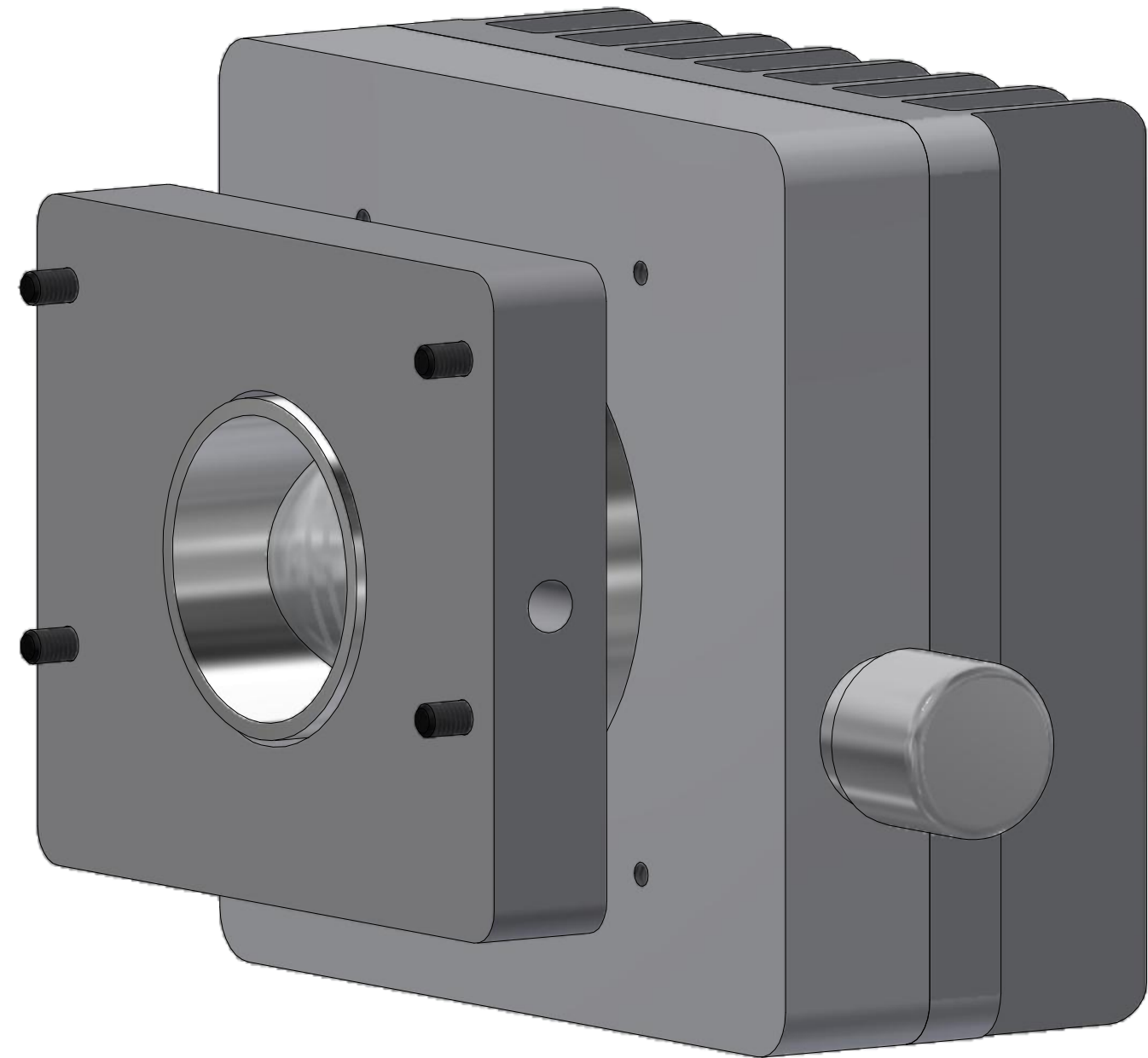


Nanodyne Replacement for Leitz Labovert FS 100W Microscope illuminator - Included Items



Additional Items Included But Not Shown:

- PN 10490 Hex Key 5/64 inch (for securing illuminator assembly to adapter)
- PN 10457 Hex Key 2.5mm short arm (for attaching adapter to microscope)



PN 11163 Power Supply 5V 2.1A and PN 10734 Power Cable 1.35mm ID/3.5mm OD x USB A 6 ft.

The illuminator may be powered by plugging the cable into the power supply provided, or into a suitable USB port on a computer or other device.

Power supplies are subject to substitution without notice due to availability issues and changes in regulations.

Wayne Bonin	4/3/2020
PN 11499 Leitz Labovert FS 100W Illuminator System	REV 1
SHEET 1 OF 1	