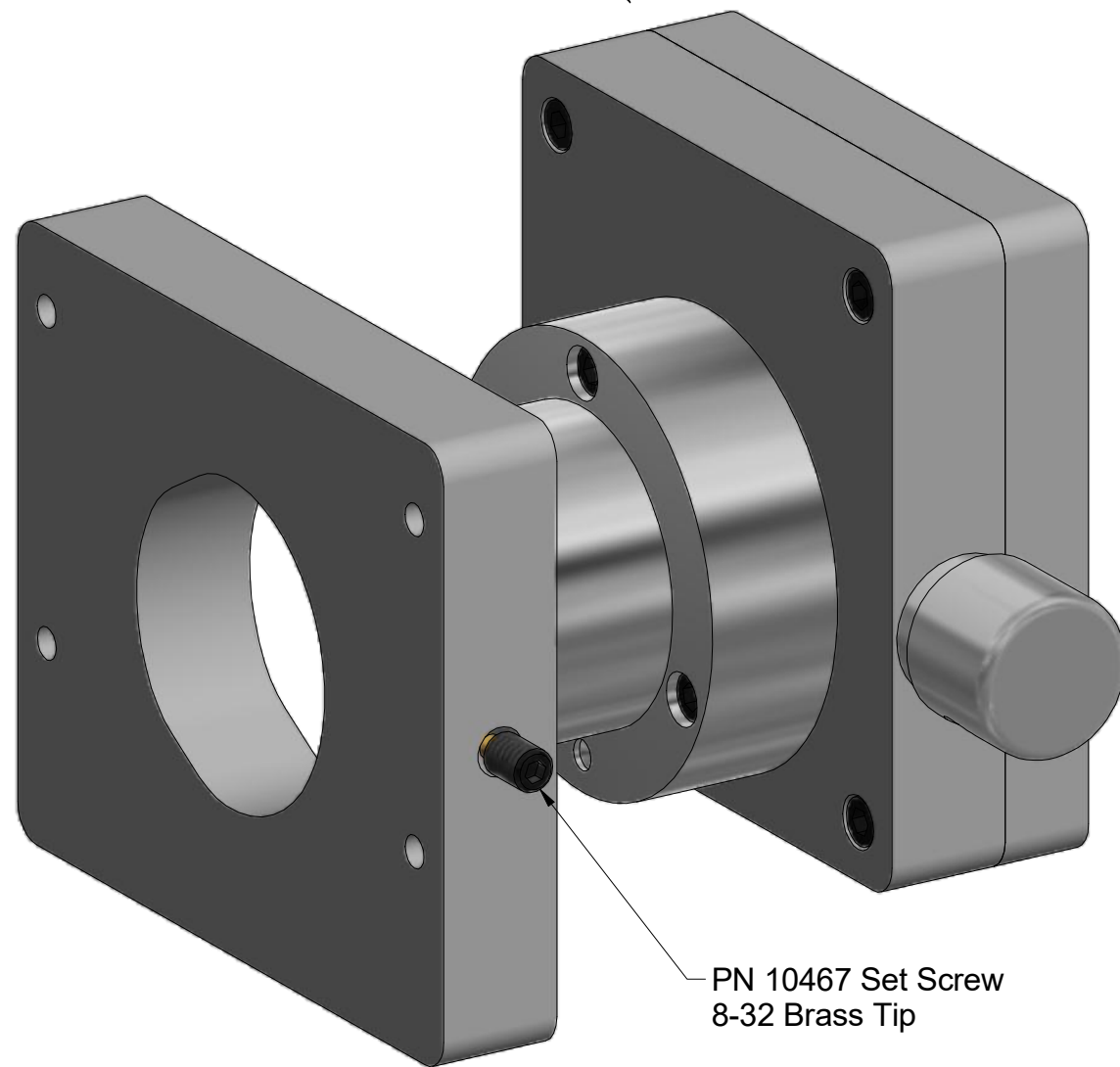


Nanodyne Replacement Illuminator for Leitz Laborlux Microscope - Included Items

PN 11366 Leitz Laborlux illuminator Assy - Side Adjust



PN 10467 Set Screw 8-32 Brass Tip

Additional Items Included But Not Shown:

PN 10490 Hex Key 5/64 inch for set screw

The illuminator may be powered by plugging the cable into the power supply provided, or into a suitable USB port on a computer or other device.



PN 10733 Power Supply - XP Power 5V 1A and PN 10734 Cable Assy 1.35mm ID x 3.5mm OD RA plug to USB A, 6 foot.



Tape to secure wires.



PN 10736 Rubber plug to block unused AC power receptacle.

Power supplies are subject to substitution without notice due to availability issues and changes in regulations.

Han-Seung Yang		12/15/2019	
PN 11367 Leitz Laborlux illuminator System - Side Adjust			REV 1
SHEET 1	OF 1		