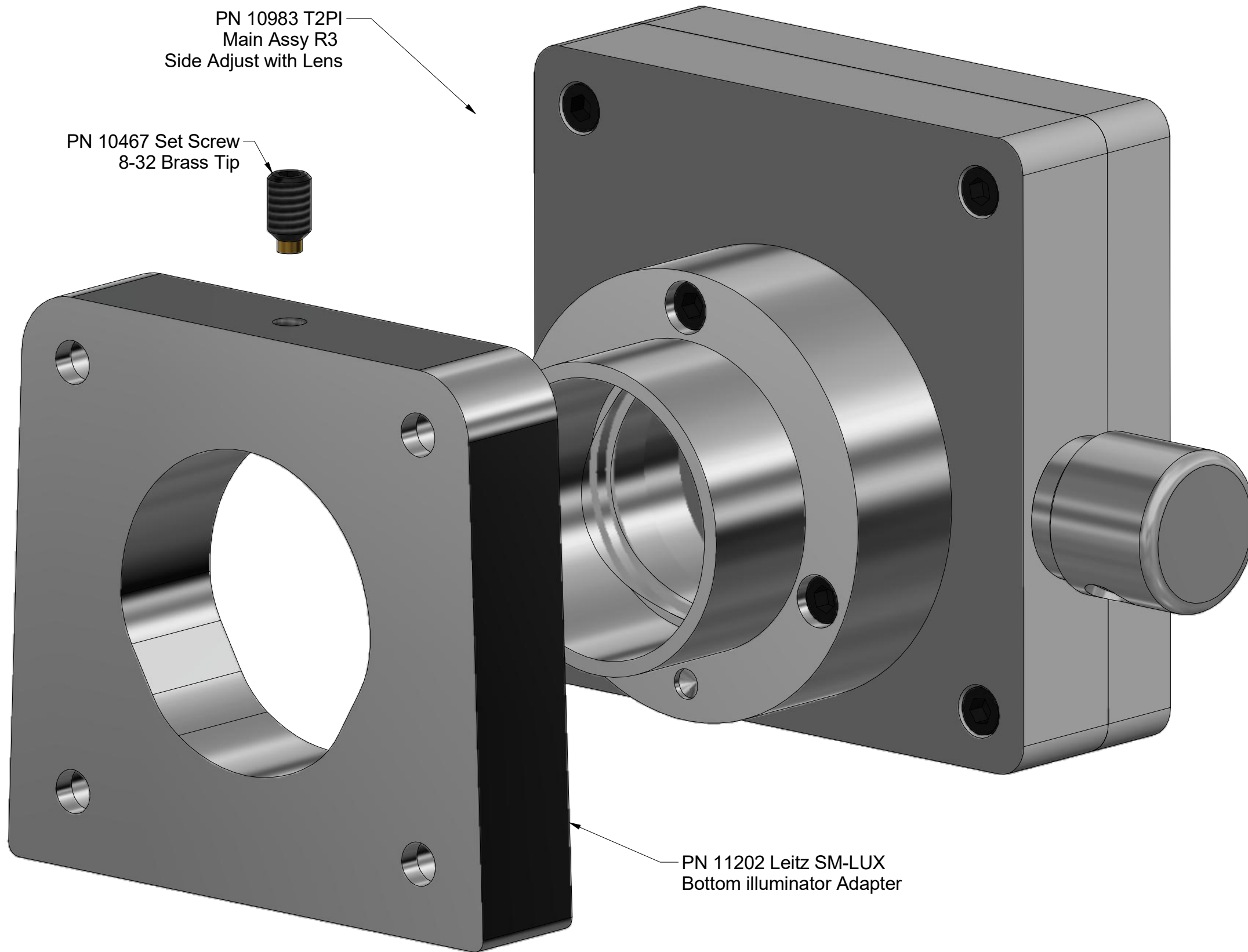


Nanodyne Replacement Illuminator for Leitz Wetzlar SM-LUX-POL Microscope Installation Instructions: Included Items

PN 10983 T2PI  
Main Assy R3  
Side Adjust with Lens

PN 10467 Set Screw  
8-32 Brass Tip



PN 11202 Leitz SM-LUX  
Bottom illuminator Adapter

**Additional Items Included But Not Shown:**

PN 10490 Hex Key 5/64 inch (for 8-32 set screw)

The illuminator mounted adjustment potentiometer is standard on this unit. Ask about a remote adjustment pot if desired.



PN 10733 Power Supply - XP Power 5V 1A Fixed Blade US Input/USB Output and PN 10734 Cable Assy 1.35mm ID x 3.5mm OD RA plug to USB A, 6 foot.

The illuminator may be powered by plugging the cable into the power supply provided, or into a suitable USB port on a computer or other device.

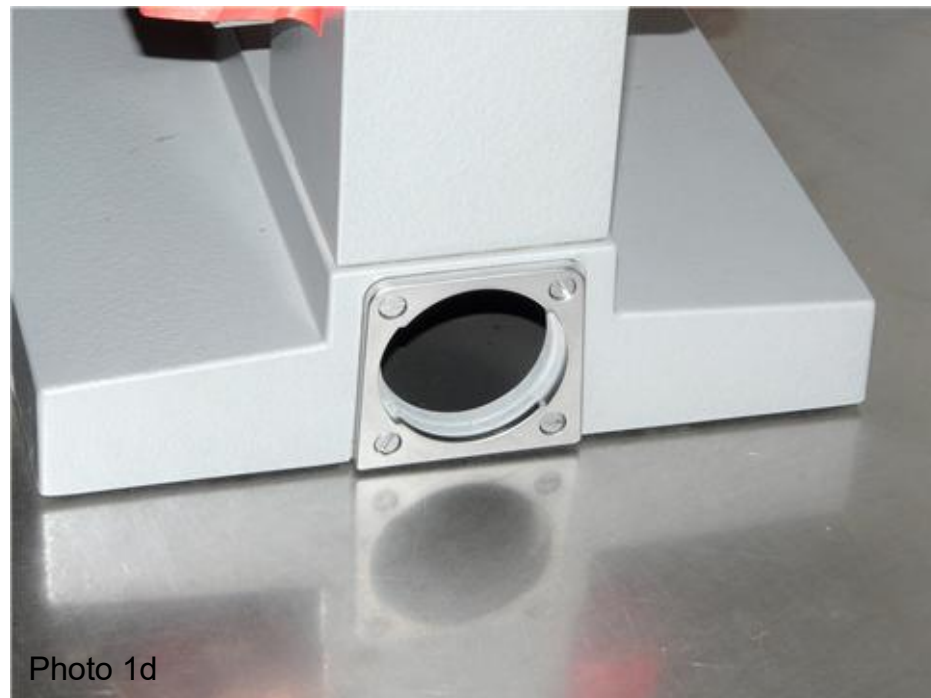
Power supplies are subject to substitution without notice due to availability issues and changes in regulations.

Wayne Bonin	12/9/2019	
PN 11218 Leitz Wetzlar SM-LUX-POL illuminator System Installation Instruction		REV 2
	SHEET 1	OF 3

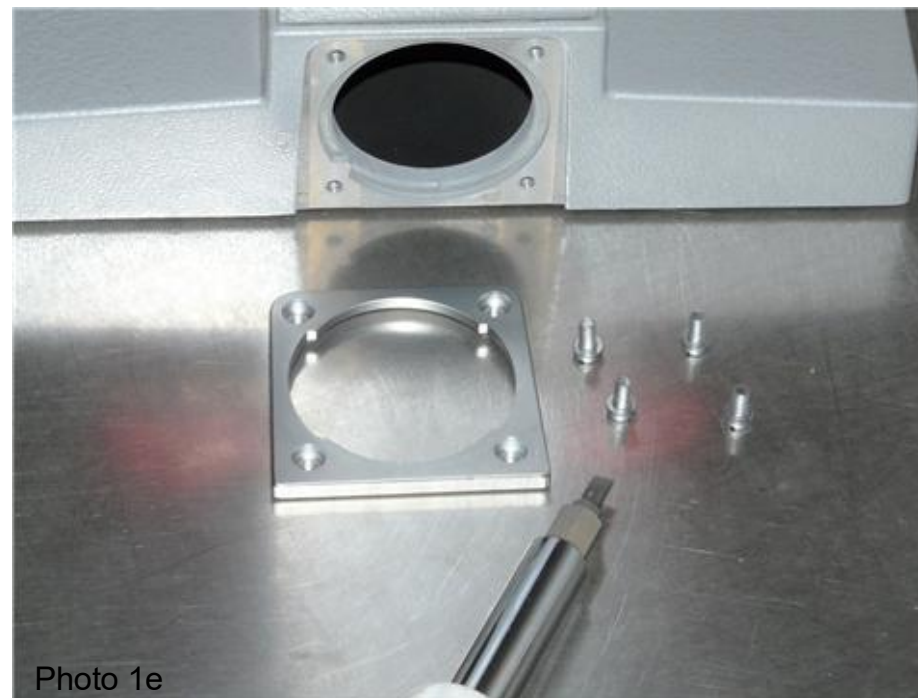
Nanodyne Replacement Illuminator for Leitz Wetzlar SM-LUX-POL Microscope Installation Instructions: Step 1. Remove Old Lamp, Housing and Adapter



Remove the original lamphouse by twisting it counter clock wise and pulling it out. Removing the lamp is not needed. The lamp is just shown for reference.



Remove the OEM illuminator mounting plate as shown above and at right.



Save the four screws. They are used to attach the new Nanodyne adapter plate.

Wayne Bonin	12/9/2019
PN 11218 Leitz Wetzlar SM-LUX-POL illuminator System Installation Instruction	REV 2
SHEET 2 OF 3	



Nanodyne Replacement Illuminator for Leitz Wetzlar SM-LUX-POL Microscope Installation Instructions: Step 2. Install Nanodyne Adapter and Illuminator



(1) Attach the Nanodyne adapter using the original screws. (Photo is of a prototype test adapter)



(2) Photo with new adapter pasted over the prototype test adapter.

NOTE - Photos 1, 3 and 4 show an earlier version of the illuminator and mounting adapter. The version you will have is shown on sheet 1 and photos 4, 6.



(4) Connect the power supply and it is ready to use. The unit is fully off when the adjustment knob is turned counter clock wise. There may or may not be a click to indicate "off". Do not force it.



(3) Insert the Nanodyne illuminator and secure by tightening the set screw. Note that the set screw on the current adapter is at the top rather than the side.



(5) Actual illuminator front view.



(6) Actual illuminator back view.

Wayne Bonin	12/9/2019
PN 11218 Leitz Wetzlar SM-LUX-POL illuminator System Installation Instruction	REV 2
SHEET 3	OF 3