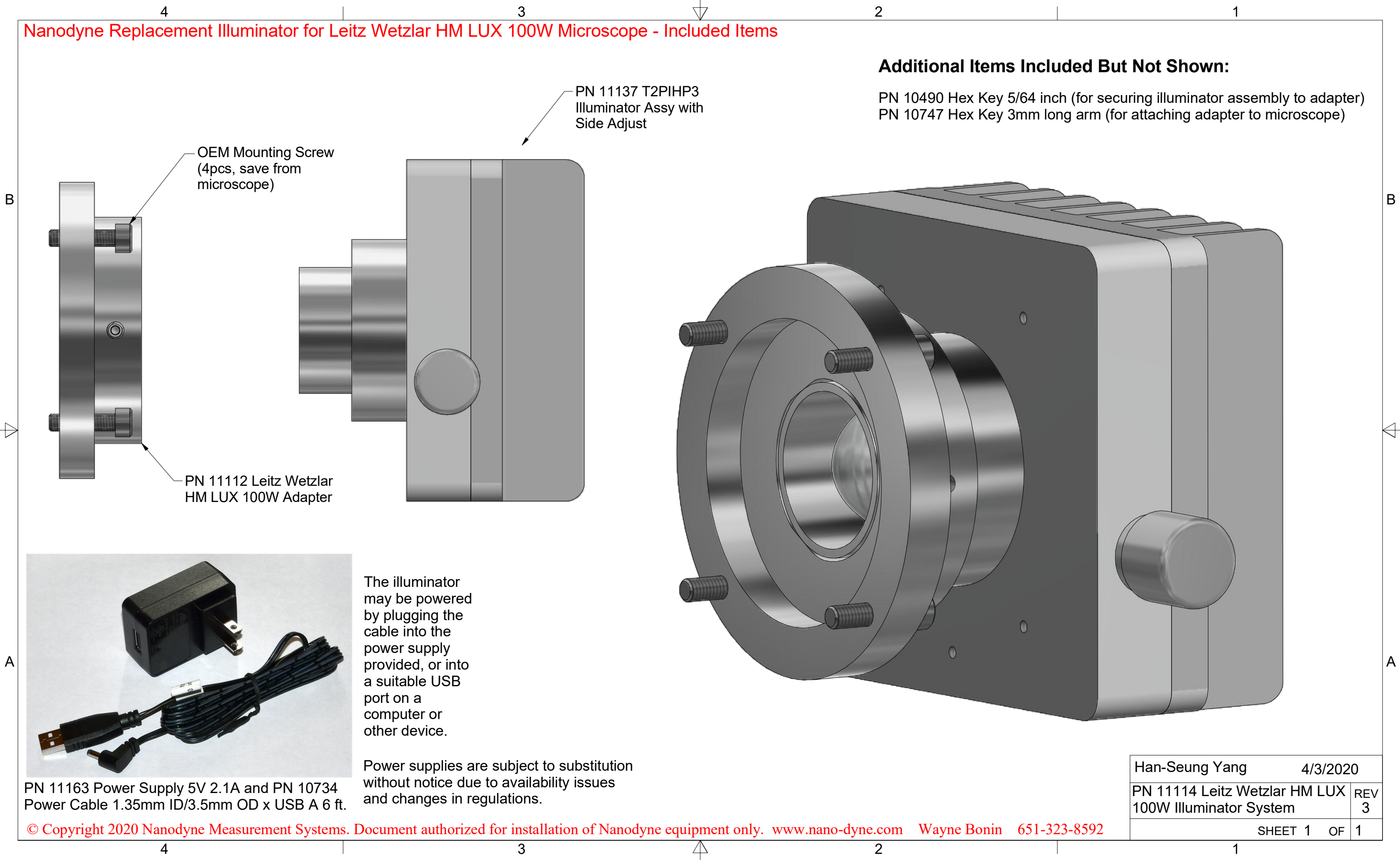


**Nanodyne Replacement Illuminator for Leitz Wetzlar HM LUX 100W Microscope - Included Items**

**Additional Items Included But Not Shown:**

- PN 10490 Hex Key 5/64 inch (for securing illuminator assembly to adapter)
- PN 10747 Hex Key 3mm long arm (for attaching adapter to microscope)



OEM Mounting Screw  
(4pcs, save from  
microscope)

PN 11137 T2PIHP3  
Illuminator Assy with  
Side Adjust

PN 11112 Leitz Wetzlar  
HM LUX 100W Adapter



PN 11163 Power Supply 5V 2.1A and PN 10734 Power Cable 1.35mm ID/3.5mm OD x USB A 6 ft.

The illuminator may be powered by plugging the cable into the power supply provided, or into a suitable USB port on a computer or other device.

Power supplies are subject to substitution without notice due to availability issues and changes in regulations.

|   |          |
|---|----------|
| Han-Seung Yang  | 4/3/2020 |
| PN 11114 Leitz Wetzlar HM LUX 100W Illuminator System | REV 3    |
| SHEET 1 OF 1  |          |