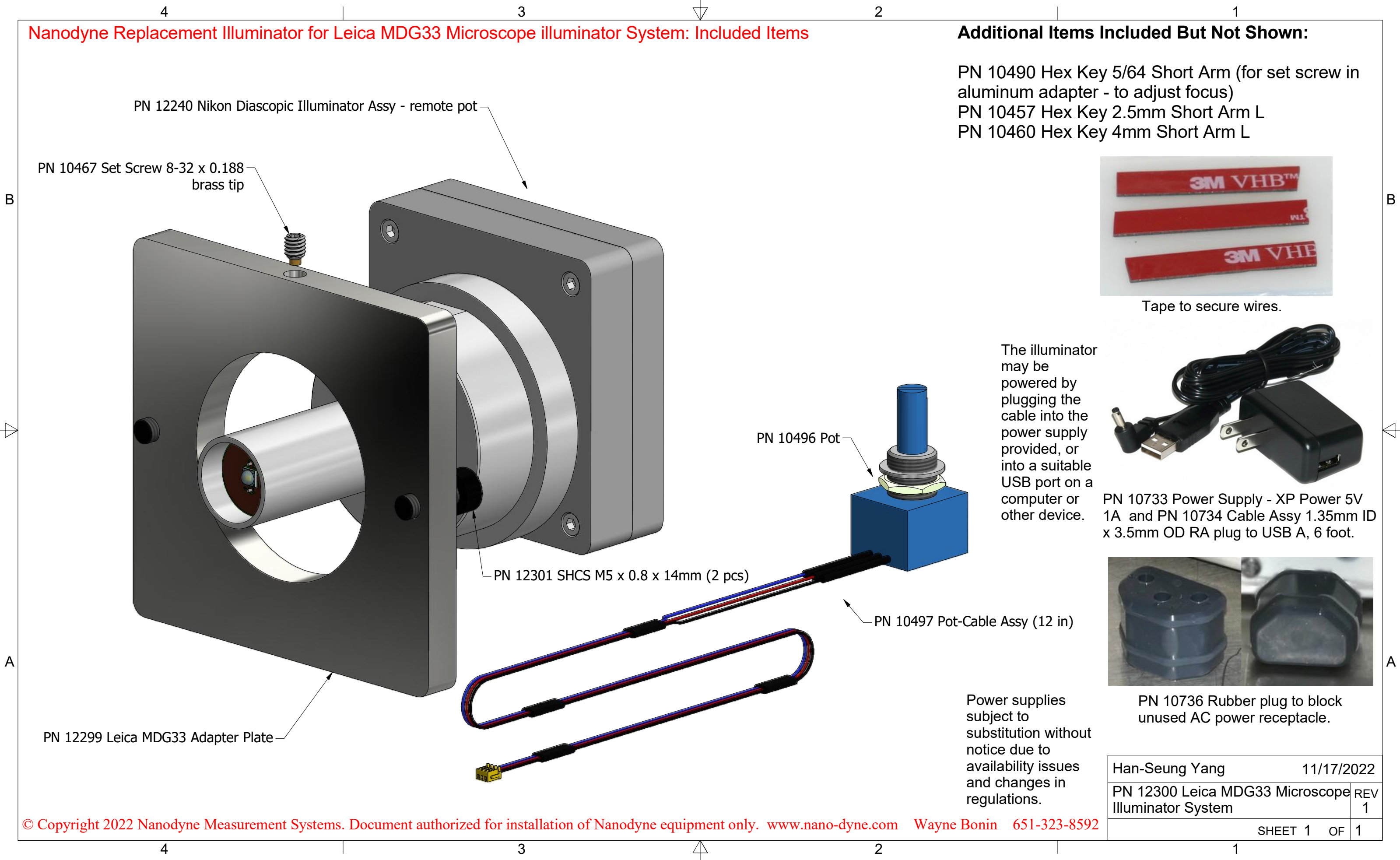


Nanodyne Replacement Illuminator for Leica MDG33 Microscope illuminator System: Included Items

Additional Items Included But Not Shown:

- PN 10490 Hex Key 5/64 Short Arm (for set screw in aluminum adapter - to adjust focus)
- PN 10457 Hex Key 2.5mm Short Arm L
- PN 10460 Hex Key 4mm Short Arm L



Tape to secure wires.



PN 10733 Power Supply - XP Power 5V 1A and PN 10734 Cable Assy 1.35mm ID x 3.5mm OD RA plug to USB A, 6 foot.



PN 10736 Rubber plug to block unused AC power receptacle.

The illuminator may be powered by plugging the cable into the power supply provided, or into a suitable USB port on a computer or other device.

Power supplies subject to substitution without notice due to availability issues and changes in regulations.

Han-Seung Yang	11/17/2022
PN 12300 Leica MDG33 Microscope Illuminator System	REV 1
SHEET 1 OF 1	