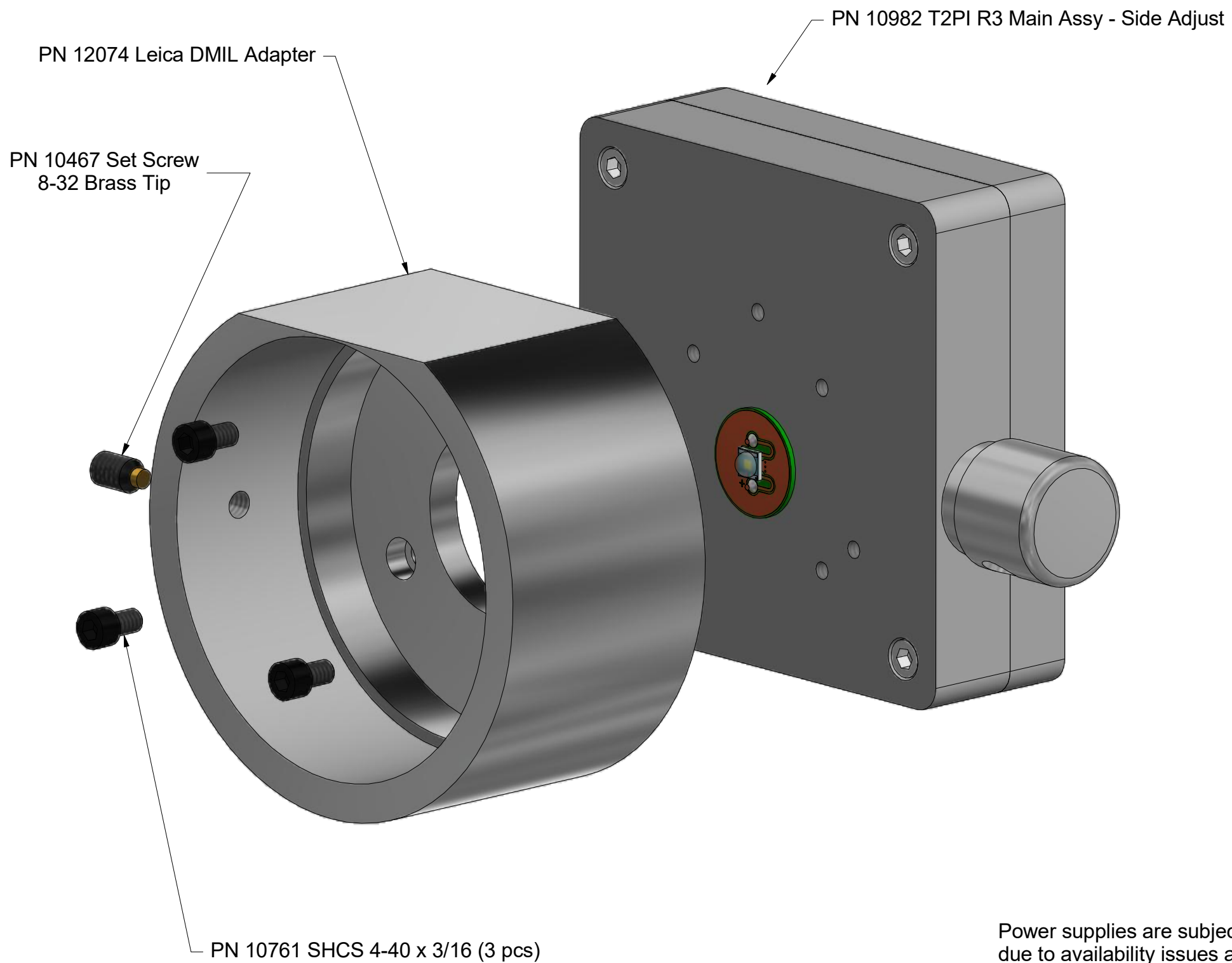


Nanodyne Replacement Illuminator for Leica DMIL Microscope Illuminator (20W OEM Lamp): Included Items



**Additional Items Included But Not Shown:**

PN 10490 Hex Key 5/64 inch for set screw



PN 10733 Power Supply - XP Power 5V 1A Fixed Blade US Input/USB Output and PN 10734 Cable Assy 1.35mm ID x 3.5mm OD RA plug to USB A, 6 foot.

The illuminator may be powered by plugging the cable into the power supply provided, or into a suitable USB port on a computer or other device.



PN 10736 Rubber plug to block unused AC power receptacle.

Power supplies are subject to substitution without notice due to availability issues and changes in regulations.

Han-Seung Yang	7/26/2021
PN 12076 Leica DMIL Illuminator System	REV 1
SHEET 1 OF 1	