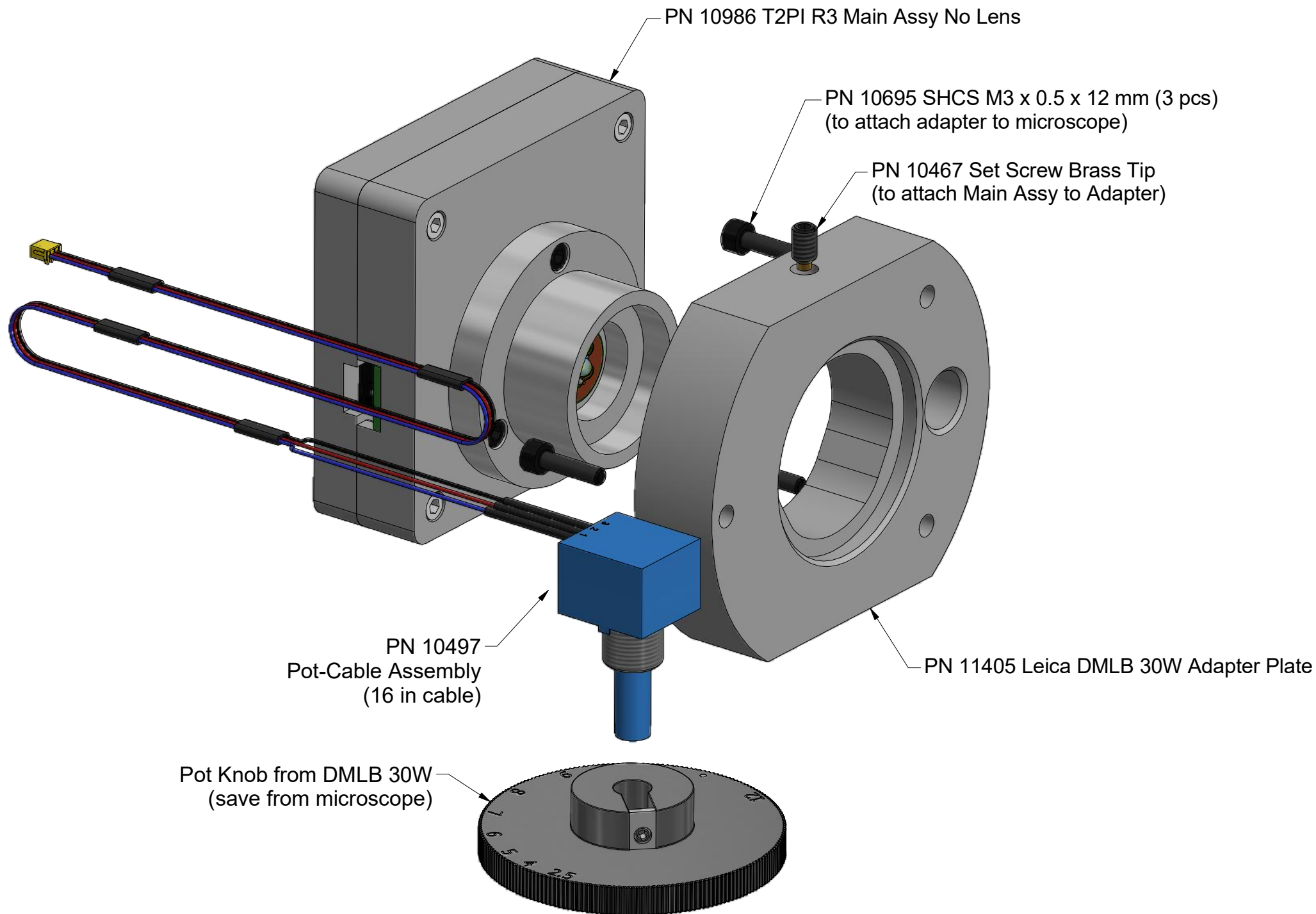


Nanodyne Replacement Illuminator for Leica DMLB 30W Microscope - Included Items



Additional Items Included But Not Shown:

- PN 10456 Hex Key 1.5mm (for pot knob)
- PN 10490 Hex Key 5/64 inch (for set screw)
- PN 10566 Hex Key 2.5mm (for M3 screws)

The illuminator may be powered by plugging the cable into the power supply provided, or into a suitable USB port on a computer or other device.



PN 10733 Power Supply - XP Power 5V 1A and PN 10734 Cable Assy 1.35mm ID x 3.5mm OD RA plug to USB A, 6 foot.



Tape to secure wires.



PN 10736 Rubber plug to block unused AC power receptacle.

Power supplies are subject to substitution without notice due to availability issues and changes in regulations.

Wayne Bonin	7/23/2019	
PN 10710 Leica DMLB 30W Illuminator System		REV 4
SHEET 1 OF 1		