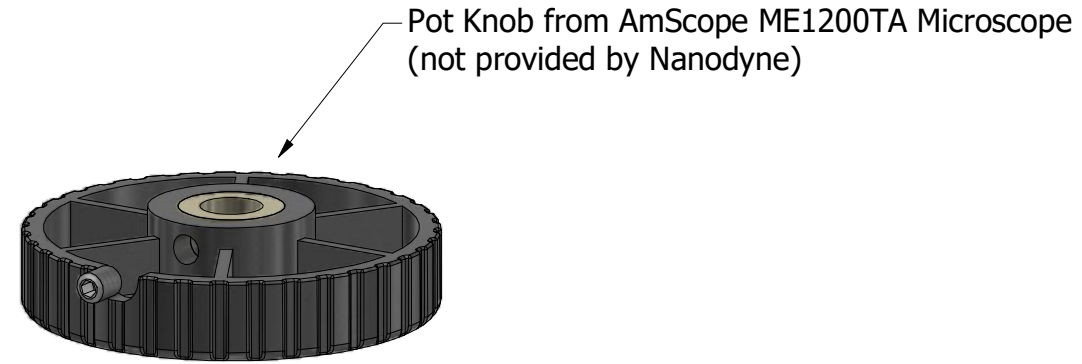
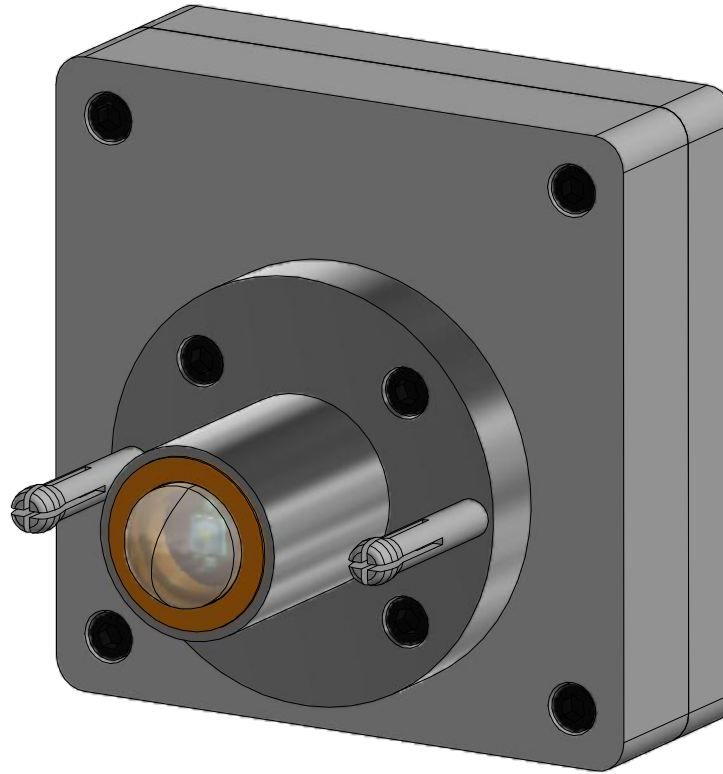


Nanodyne Replacement Illuminator for AmScope ME1200TA Microscope: Included Items

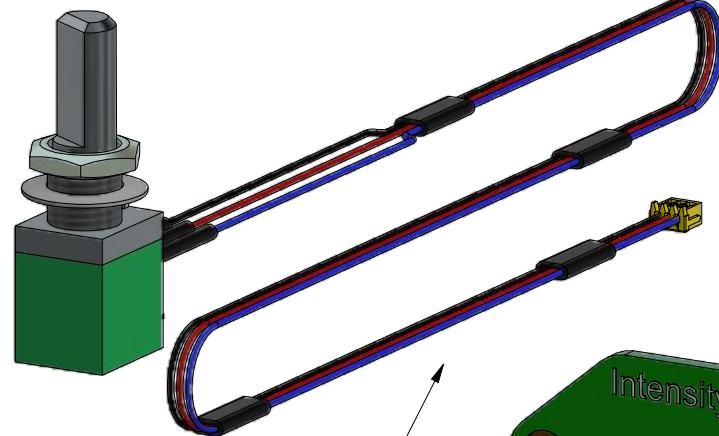
Additional Items Included But Not Shown:
 PN 10456 Hex Key 1.5mm (for M3 set screw)



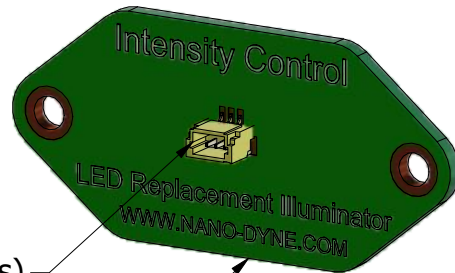
Pot Knob from AmScope ME1200TA Microscope (not provided by Nanodyne)



PN 11766 AmScope ME1200TA Illuminator Assy

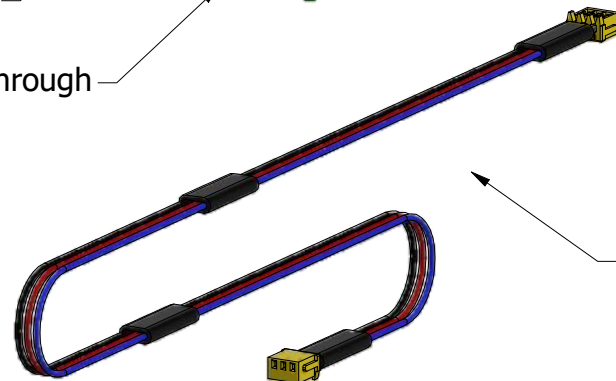


PN 11170 Pot-Cable Assy (Full Length Shaft - with tab, 6 in cable)



PN 10929 Header 3POS 1mm Top Entry (2 pcs)

PN 11488 Power Plate Pot Feedthrough



PN 11002 Pot Cable Assy (6 in cable)



Tape to secure wires.



PN 10733 Power Supply - XP Power 5V 1A and PN 10734 Cable Assy 1.35mm ID x 3.5mm OD RA plug to USB A, 6 foot.

The illuminator may be powered by plugging the cable into the power supply provided, or into a suitable USB port on a computer or other device.

Power supplies are subject to substitution without notice due to availability issues and changes in regulations.

Han-Seung Yang	6/9/2020	
PN 11767 AmScope ME1200TA Illuminator System	REV 1	
	SHEET 1 OF 1	